



Proven Performance Since 1932.



TIGHT FILL ACCESSORIES

VAPOR RECOVERY FLAT TOP CAP

Application -

Low profile which extends only 5/8" above the adapter, allows maximum clearance in manhole, and has a total water and vapor seal solution.

Part Number - 0613VC



UNIVERSAL Advantage

Only from Universal! - A low profile design which allows for maximum clearance. This compensates for ground heaving and settling. Our cam-action cap produces a water and vapor tight total seal solution. Truly the best in the industry.

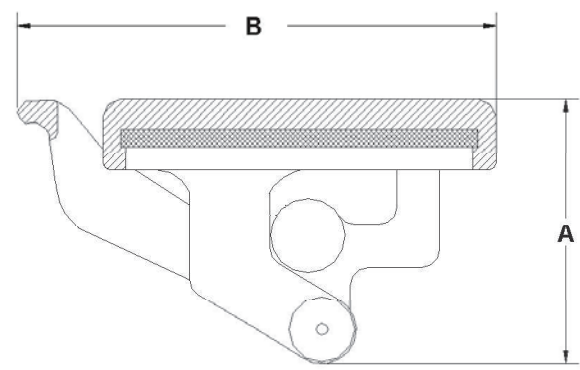
Features -

- ✓ Cam-action handle provides a total water and vapor seal solution
- ✓ Non-corrosive polymeric coating
- ✓ Color-coded in "orange" for easy recognition and maintenance
- ✓ Compatible with 0611V Vapor Check Valve Adapter
- ✓ Compatible with E-85

Construction -

- Cast aluminum body
- Ductile iron cam-action handle
- Buna-N seal

Model	Size	Weight (lbs.)	A	B
0613VC-30	3"	3.6	4"	7-1/2"



Replacement Parts

Part Numbers	Description
0613VC-3-B	Gasket

Notice: Universal Valve Co., products must be used in compliance with applicable federal, state, and local laws and regulations. Product selection should be based on physical specifications and limitations and compatibility with the environment and material to be handled. Universal Valve Co., makes no warranty of fitness for a particular use. All illustrations and specifications in this literature are based on the latest production information available at the time of publication. Prices, materials, and specification are subject to change at any time, and models may be discontinued at any time, in either case, without notice or obligation.