



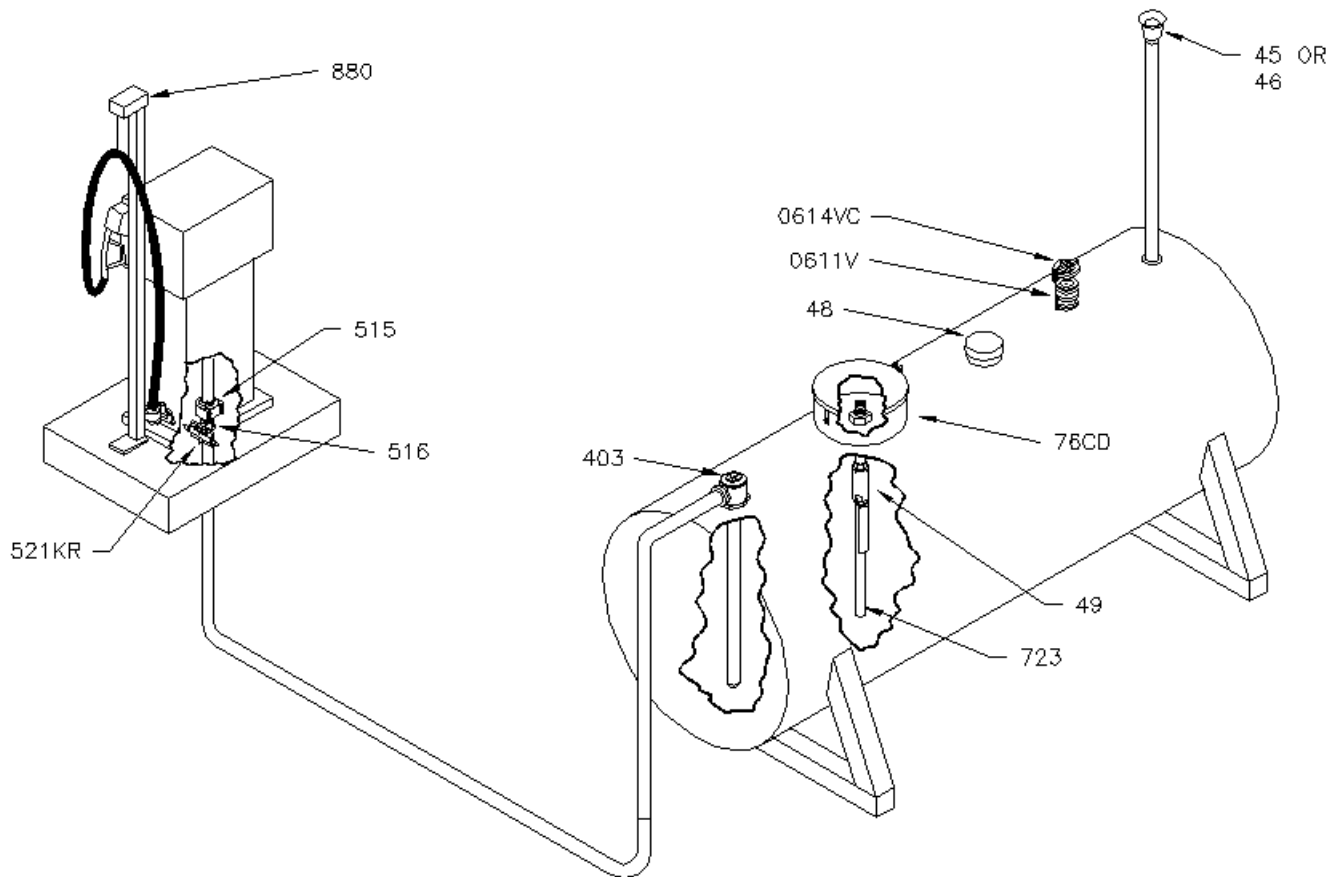
Simply The Best!

TYPICAL ABOVE GROUND TANK APPLICATION

A Complete Line of Valves, Fittings, Accessories and Manholes for Your Installation.

Universal offers you the widest selection of Valves, Fittings, Accessories, and Manholes in the industry. These quality products provide proven performance with today's industry regulations and specifications.

Note: The drawing shows only general locations of various Universal products contained in this catalog. The products are not shown in actual size or proportion to Universal, or other products listed.



Notice: Universal Valve Co., products must be used in compliance with applicable federal, state, and local laws and regulations. Product selection should be based on physical specifications and limitations and compatibility with the environment and material to be handled. Universal Valve Co., makes no warranty of fitness for a particular use. All illustrations and specifications in this literature are based on the latest production information available at the time of publication. Prices, materials, and specification are subject to change at any time, and models may be discontinued at any time, in either case, without notice or obligation.

UNIVERSAL VALVE COMPANY

478 Schiller Street, Elizabeth, NJ 07206 • (800) 223-0741 • (908) 351-0606 • Fax: (908) 351-0369 • universalvalve.com

© 2003 Universal Valve Company, Inc.